



SERVICE PARTS LIST

VACUUM CLEANER

Catalog No. **8935**

Starting Serial No. **SERIES 1**

BUL. 54-05-0450

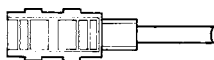
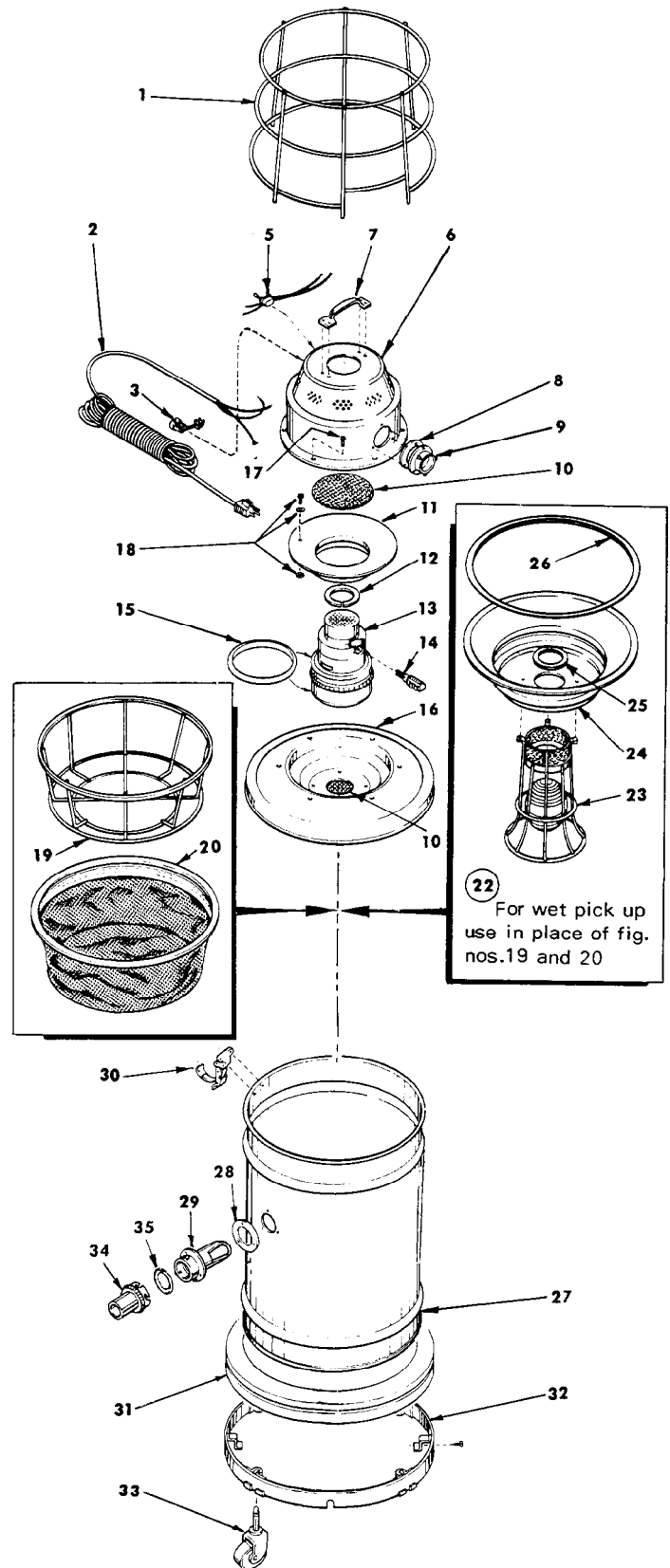
REVISED BUL.

DATE
May '76

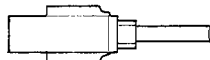
WIRING INSTRUCTIONS

FOR CAT. NO. 8935-2 (230V) VACUUM CLEANER USE:
23-30-0140 MOTOR

FIG.	PART NO.	DESCRIPTION	NO. REQ.
1	49-90-0170	Hose Cage	(1)
2	22-64-0700	Cord Set	(1)
3	44-76-0020	Cord Protector	(1)
5	23-66-0870	Switch	(1)
6	42-92-0350	Motor Cover Assembly (Includes Fig. Nos. 7 thru 10)	(1)
7	43-62-0510	Handle	(1)
8	43-44-0335	Gasket	(1)
9	42-86-0070	Connector	(1)
10	45-03-0120	Perforated Aluminum Screen	(1)
11	42-04-0440	Motor Adapter	(1)
12	43-44-0360	Motor Top Gasket	(1)
13	25-30-0100	Small Bypass Motor Assembly	(1)
14	—	Carbon Brush and Holder (Set) Refer to bottom of page	(1)
15	43-44-0390	Motor Gasket	(2)
16	42-92-0310	Container Cover with Screen	(1)
17	06-85-2000	12x1/2 Phillips Type B Pan Hd. Screw	(6)
18	06-05-0010	Ground Screw Assembly	(1)
19	49-90-0290	Wire Frame	(1)
20	49-90-0280	Cloth Filter and Gasket	(1)
21	49-90-0311	Filter Bags (Package of Five) Not Shown	(1)
22	49-90-1620	Wet Pick-Up Conversion Pan Assy. (Includes Fig. Nos. 23 thru 26)	(1)
23	42-46-0110	Float Cage Assembly	(1)
24	44-54-0060	Wet Pan Adapter	(1)
25	43-44-0340	Shut Off Gasket	(1)
26	43-44-0420	Gasket	(1)
27	42-51-0380	Steel Dust Container Assembly (Includes Fig. Nos. 28 thru 30)	(1)
28	43-44-0370	Gasket	(1)
29	42-86-0080	Inlet Connector Assembly	(1)
30	42-68-0290	Holddown Clamp	(3)
31	42-38-0120	Bumper	(1)
32	43-08-0170	Dolly Ring Body	(1)
33	45-94-0140	Swivel Bearing Caster	(4)
34	49-90-0150	Swivel End Connector (incl. fig. 35)	(1)
35	43-44-0275	Fitted Gasket	(1)



22-18-0430



22-18-0530